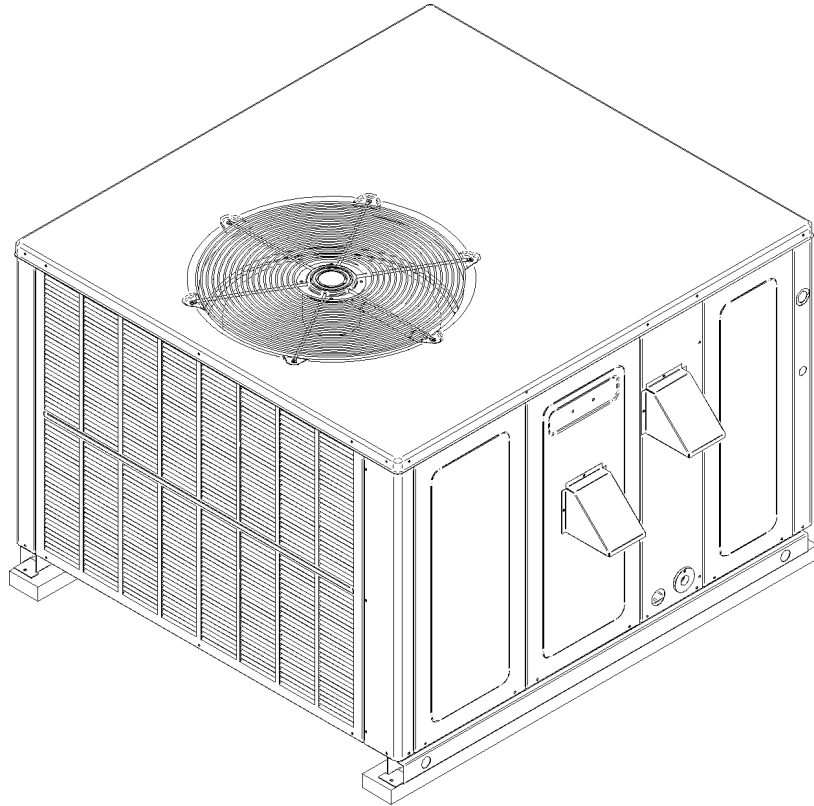


REPAIR PARTS

[A/G]PG15 Package Gas Unit

APG152407041BA
APG152407041CA
APG153009041BA
APG153009041CA
APG153709041BA
APG153709041CA
APG154211541BA
APG154211541CA
APG154911541BA
APG154911541CA
APG156014041BA
APG156014041CA
GPG152407041BA
GPG152407041CA
GPG153009041BA
GPG153009041CA
GPG153709041BA
GPG153709041CA
GPG154211541BA
GPG154211541CA
GPG154911541BA
GPG154911541CA
GPG156014041BA
GPG156014041CA



This manual is to be used by qualified technicians only.

This manual replaces RP-705.

© 2012-2013 Goodman Manufacturing Company, L.P. ♦ 5151 San Felipe, Suite 500 ♦ Houston, TX 77056

Important Information

Index

Functional Parts List	3
Illustration and Parts	4 - 15

Views shown are for parts illustrations only, not servicing procedures.

Rev A: Addition of models with Braod Ocean Digi Motors.

Text Codes:

AR - As Required

NA - Not Available

NS - Not Shown

00000000 - See Note

QTY - Quantity Example (QTY 3) (If Quantity not shown, Quantity = 1)

M - Model Example (M1) (If M Code not shown, then part is used on all Models)

Expanded Model Nomenclature:

Example M1 - Model#1 M2 - Model#2 M3 - Model#3

Goodman Manufacturing Company, L.P. is not responsible for personal injury or property damage resulting from improper service. Review all service information before beginning repairs.

Warranty service must be performed by an authorized technician, using authorized factory parts. If service is required after the warranty expires, Goodman Manufacturing Company, L.P. also recommends contacting an authorized technician and using authorized factory parts.

Goodman Manufacturing Company, L.P. reserves the right to discontinue, or change at any time, specifications or designs without notice or without incurring obligations.

For assistance within the U.S.A. contact:
Consumer Affairs Department
Goodman Manufacturing Company, L.P.
7401 Security Way
Houston, Texas 77040
877-254-4729-Telephone
713-863-2382-Facsimile

For assistance outside the U.S.A. contact:
International Division
Goodman Manufacturing Company, L.P.
7401 Security Way
Houston, Texas 77040
713-861-2500-Telephone
713-863-2382-Facsimile

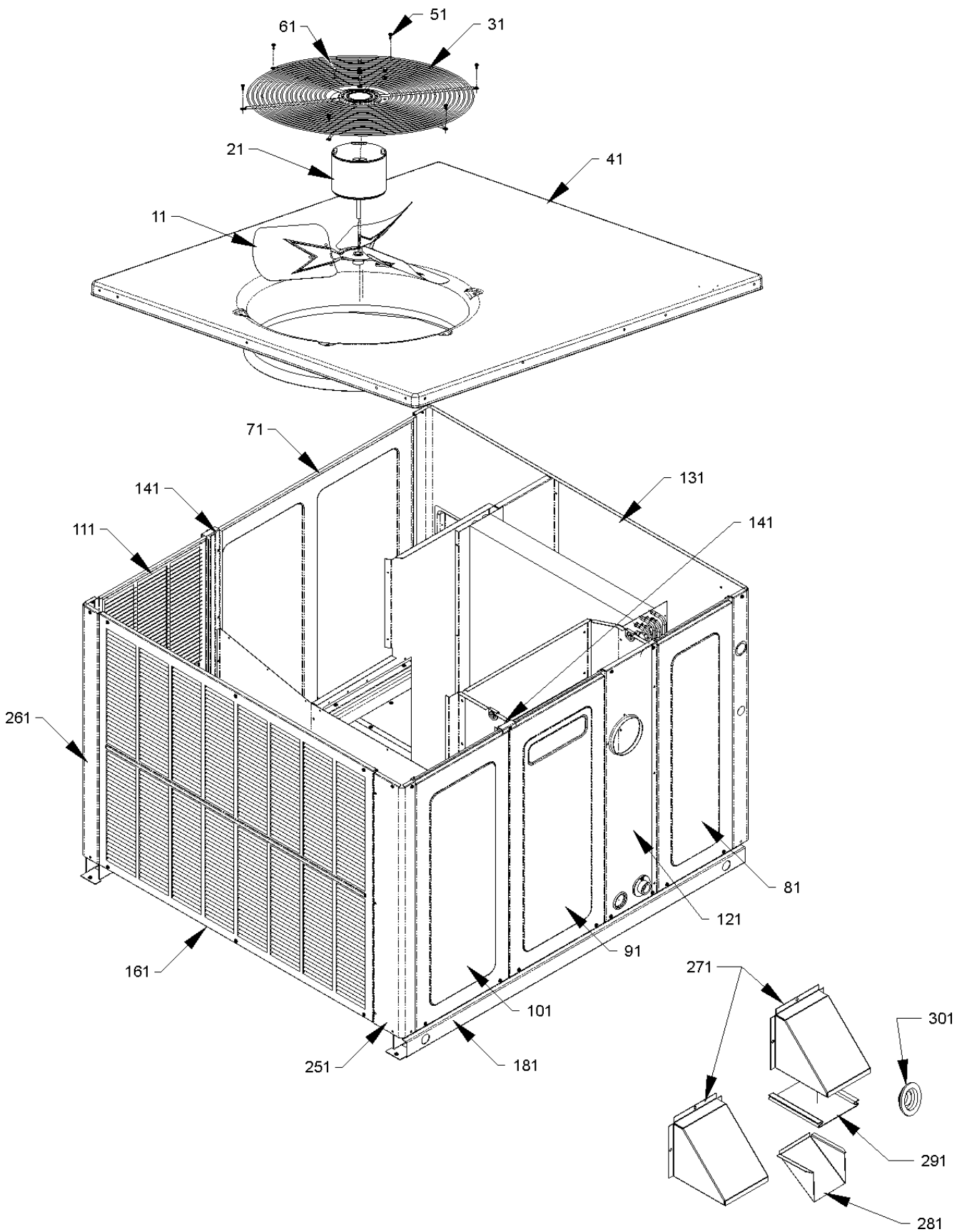
Functional Parts

Part

No: Description:

20269903	AUXILIARY LIMIT, AUTO RESET	11112501S	PRESSURE SWITCH																								
0150G00003	BLADE, FAN 26 SWEEP WING (M7, M8, M9, M10, M11, M12, M19, M20, M21, M22, M23, M24)	0131M00445	PROGRAMMED MOTOR (M2, M14)																								
D6723303	BLOWER WHEEL (M3, M4, M5, M6, M15, M16, M17, M18)	0131M00437	PROGRAMMED MOTOR (M6, M18)																								
B1368058	BLOWER WHEEL 10 X 8 (M1, M2, M13, M14)	0131M00438	PROGRAMMED MOTOR (M8, M20)																								
B1368000	BLOWER WHEEL 11 X 10 (M7, M8, M9, M10, M11, M12, M19, M20, M21, M22, M23, M24)	0131M00444	PROGRAMMED MOTOR (M12, M24)																								
CAP050350440RS	CAPACITOR 5/35/440V (M1, M2, M13, M14)	0131M00446	PROGRAMMED MOTOR (M4, M16)																								
CAP050400440RT	CAPACITOR 5/40/440V (M3, M4, M11, M12, M15, M16, M23, M24)	0131M00439	PROGRAMMED MOTOR (M10, M22)																								
CAP050450440RT	CAPACITOR 5/45/440V (M5, M6, M7, M8, M9, M10, M17, M18, M19, M20, M21, M22)	B1141643	TRANSFORMER 208/230, 24V																								
ZPS51K5EPFV130	COMP, 51900/208/230/60/1 (M11, M12, M23, M24)	SPECIAL PARTS																									
ZP20K5EPFV130	COMP,20000,208/230/60/1 (M1, M2, M13, M14)	B1488806	COMPRESSOR SOUND BLANKET (M7, M8, M9, M10, M11, M12)																								
ZP34K5EPFV130	COMP,34500,208/230/60/1 (M7, M8, M19, M20)	B1488807	COMPRESSOR SOUND BLANKET (M1, M2, M3, M4, M5, M6)																								
ZP25K5EPFV130	COMPRESSOR 25200, 208/230/60/1 (M3, M4, M15, M16)	Expanded Model Nomenclature																									
ZP31K5EPFV130	COMPRESSOR 31100, 208/230/60/1 (M5, M6, M17, M18)	<table border="1"> <tbody> <tr><td>M1 - APG152407041BA</td></tr> <tr><td>M2 - APG152407041CA</td></tr> <tr><td>M3 - APG153009041BA</td></tr> <tr><td>M4 - APG153009041CA</td></tr> <tr><td>M5 - APG153709041BA</td></tr> <tr><td>M6 - APG153709041CA</td></tr> <tr><td>M7 - APG154211541BA</td></tr> <tr><td>M8 - APG154211541CA</td></tr> <tr><td>M9 - APG154911541BA</td></tr> <tr><td>M10 - APG154911541CA</td></tr> <tr><td>M11 - APG156014041BA</td></tr> <tr><td>M12 - APG156014041CA</td></tr> <tr><td>M13 - GPG152407041BA</td></tr> <tr><td>M14 - GPG152407041CA</td></tr> <tr><td>M15 - GPG153009041BA</td></tr> <tr><td>M16 - GPG153009041CA</td></tr> <tr><td>M17 - GPG153709041BA</td></tr> <tr><td>M18 - GPG153709041CA</td></tr> <tr><td>M19 - GPG154211541BA</td></tr> <tr><td>M20 - GPG154211541CA</td></tr> <tr><td>M21 - GPG154911541BA</td></tr> <tr><td>M22 - GPG154911541CA</td></tr> <tr><td>M23 - GPG156014041BA</td></tr> <tr><td>M24 - GPG156014041CA</td></tr> </tbody> </table>		M1 - APG152407041BA	M2 - APG152407041CA	M3 - APG153009041BA	M4 - APG153009041CA	M5 - APG153709041BA	M6 - APG153709041CA	M7 - APG154211541BA	M8 - APG154211541CA	M9 - APG154911541BA	M10 - APG154911541CA	M11 - APG156014041BA	M12 - APG156014041CA	M13 - GPG152407041BA	M14 - GPG152407041CA	M15 - GPG153009041BA	M16 - GPG153009041CA	M17 - GPG153709041BA	M18 - GPG153709041CA	M19 - GPG154211541BA	M20 - GPG154211541CA	M21 - GPG154911541BA	M22 - GPG154911541CA	M23 - GPG156014041BA	M24 - GPG156014041CA
M1 - APG152407041BA																											
M2 - APG152407041CA																											
M3 - APG153009041BA																											
M4 - APG153009041CA																											
M5 - APG153709041BA																											
M6 - APG153709041CA																											
M7 - APG154211541BA																											
M8 - APG154211541CA																											
M9 - APG154911541BA																											
M10 - APG154911541CA																											
M11 - APG156014041BA																											
M12 - APG156014041CA																											
M13 - GPG152407041BA																											
M14 - GPG152407041CA																											
M15 - GPG153009041BA																											
M16 - GPG153009041CA																											
M17 - GPG153709041BA																											
M18 - GPG153709041CA																											
M19 - GPG154211541BA																											
M20 - GPG154211541CA																											
M21 - GPG154911541BA																											
M22 - GPG154911541CA																											
M23 - GPG156014041BA																											
M24 - GPG156014041CA																											
ZP39K5EPFV130	COMPRESSOR 39000, 208/230/60/1 (M9, M10, M21, M22)																										
0131M00007P	COND MOTOR 1/4 HP, 1 SP, 6 PL (M7, M8, M9, M10, M11, M12, M19, M20, M21, M22, M23, M24)																										
0131M00009PS	COND MOTOR 1/6 HP, 1 SP, 8 PL (M1, M2, M13, M14)																										
CONT1P025024V	CONTACTOR 25 AMP, 1P, 24V (M1, M2, M3, M4, M5, M6, M13, M14, M15, M16, M17, M18)																										
CONT1P030024V	CONTACTOR 30 AMP, 1P, 24V (M7, M8, M9, M10, M19, M20, M21, M22)																										
CONT2P040024V	CONTACTOR 40 AMP, 2P, 24V (M11, M12, M23, M24)																										
0150G00002	FAN BLADE SWEEP-WING (M3, M4, M5, M6, M15, M16, M17, M18)																										
B1086773	FAN BLADE, 22" DIA. (M1, M2, M13, M14)																										
0130F00010	FLAME SENSOR																										
0151F00000P	GAS VALVE - WHITE-RODGERS 2-STAGE																										
0130M00074	HIGH PRESSURE SWITCH																										
0130F00014	IGNITOR																										
10728343	LIMIT SWITCH (M1, M2, M3, M4, M5, M6, M11, M12, M13, M14, M15, M16, M17, M18, M23, M24)																										
10728344	LIMIT SWITCH (M7, M8, M9, M10, M19, M20, M21, M22)																										
0130M00087	LOW PRESSURE SWITCH																										
0131M00335	MOTOR - 1 HP PROGRAMMED SELEC (M11, M23)																										
0131M00351	MOTOR - 3/4 HP PROGRAMMED SELE (M7, M19)																										
0131M00356	MOTOR - 3/4 HP PROGRAMMED SELE (M9, M21)																										
0131M00061	MOTOR, 1/4HP, 1SP, 8PL (M3, M4, M5, M6, M15, M16, M17, M18)																										
0131G00009	MOTOR, ID BLOWER																										
0131M00376	MOTOR-1/2 HP PROGRAMMED SELEC (M5, M17)																										
0131M00373	MOTOR-1/2 HP PROGRAMMED SELEC (M3, M15)																										
0131M00364	MOTOR-1/2 HP PROGRAMMED SELEC (M1, M13)																										
PCBAG127	PCB, IGNITION, DSI, 2 STG																										

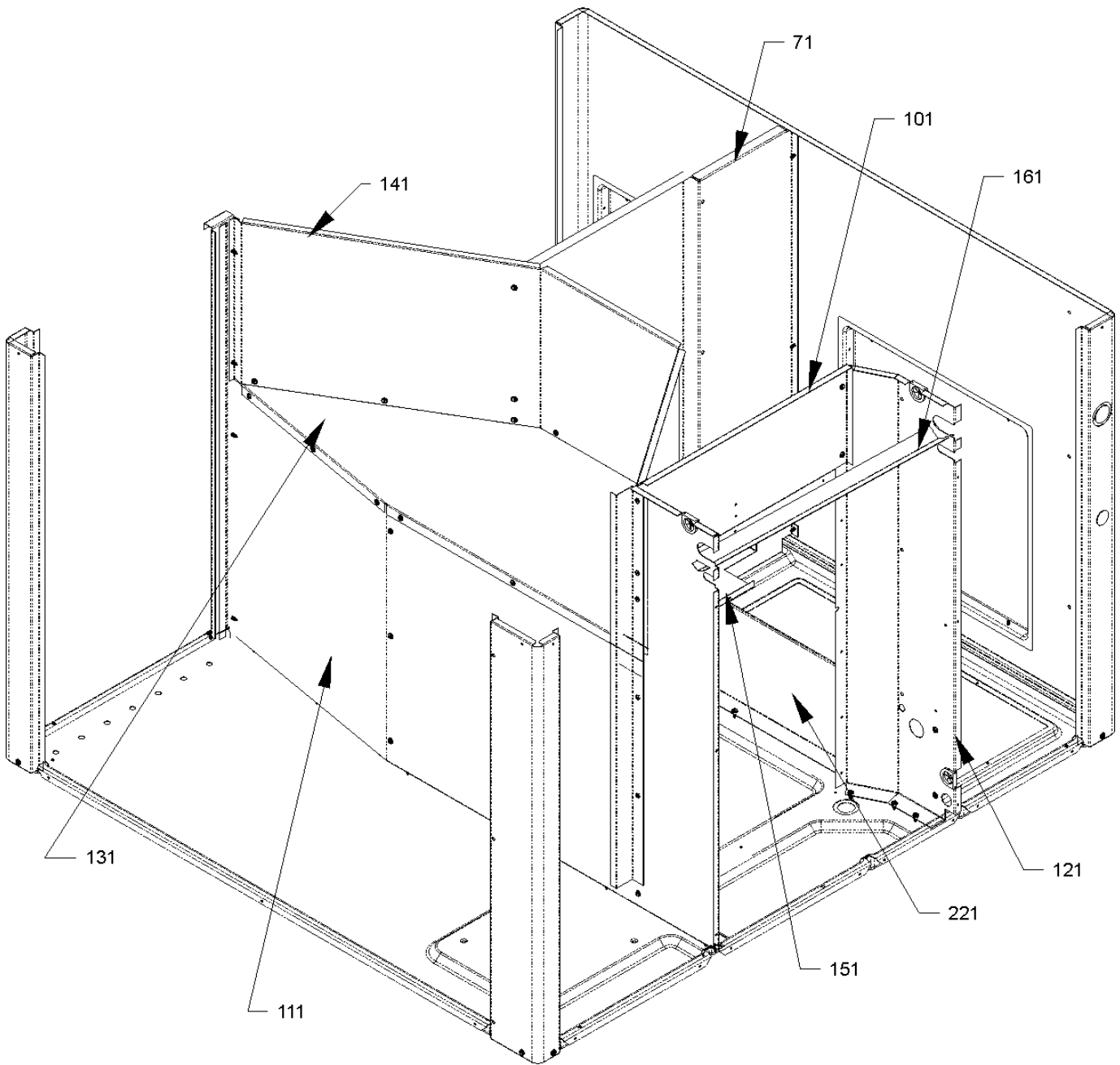
Top Panel/Fan/Cabinet



Top Panel/Fan/Cabinet

Ref. Part No: No:	Description:	Ref. Part No: No:	Description:
<i>Image 1:</i>		<i>Image 1:</i>	
11	0150G00003	261	0121G00454DG
	BLADE, FAN 26 SWEPT WING (M7, M8, M9, M10, M11, M12, M19, M20, M21, M22, M23, M24)		CORNER-POST HPIN END, PNT (M1, M2, M3, M4, M5, M6, M13, M14, M15, M16, M17, M18)
11	0150G00002	261	0121G00456DG
	FAN BLADE SWEPT-WING (M3, M4, M5, M6, M15, M16, M17, M18)		CORNER-POST HPIN END, PNT (M7, M8, M9, M10, M11, M12, M19, M20, M21, M22, M23, M24)
11	B1086773	281	0121G00190
	FAN BLADE, 22" DIA. (M1, M2, M13, M14)		FLUE HOOD-LOWER
21	0131M00007P	291	20472601
	COND MOTOR 1/4 HP, 1 SP, 6 PL (M7, M8, M9, M10, M11, M12, M19, M20, M21, M22, M23, M24)		SCREEN-FLUE HOOD
21	0131M00009PS	301	B1910012
	COND MOTOR 1/6 HP, 1 SP, 8 PL (M1, M2, M13, M14)		GAS LINE GROMMET
21	0131M00061	NS	0270G00131
	MOTOR, 1/4HP, 1SP, 8PL (M3, M4, M5, M6, M15, M16, M17, M18)		FLUE HOOD ASSY
31	0152G00002	NS	1778800083F
	GRILLE-FAN		PVC CONDUIT 8.25"
41	0121G00156PDG	NS	0259G00041
	PNL, TOP, PNT		WIRE HARNESS, FAN MOTOR (M1, M2, M13, M14)
51	M0221817	NS	0259G00088
	SCREW-SM (QTY 6)		WIRE HARNESS, FAN MOTOR (M7, M8, M19, M20)
61	0163M00006P	NS	0259G00089
	ACORN NUT 5/16 HEX BLACK (QTY 4)		WIRE HARNESS, FAN MOTOR (M3, M4, M5, M6, M15, M16, M17, M18)
71	20464801PDG	NS	0259G00117
	BLOWER DOOR 32" (M1, M2, M3, M4, M5, M6, M13, M14, M15, M16, M17, M18)		WIRE HARNESS-FAN (M9, M10, M11, M12, M21, M22, M23, M24)
71	20464806PDG	Expanded Model Nomenclature	
	BLOWER DOOR 40" (M7, M8, M9, M10, M11, M12, M19, M20, M21, M22, M23, M24)	M1 - APG152407041BA	
81	20464802PDG	M2 - APG152407041CA	
	DOOR-EVAP/CONTROL 32 W/PAINT (M1, M2, M3, M4, M5, M6, M13, M14, M15, M16, M17, M18)	M3 - APG153009041BA	
81	20464807PDG	M4 - APG153009041CA	
	EVAP/CONTROL DOOR 40" (M7, M8, M9, M10, M11, M12, M19, M20, M21, M22, M23, M24)	M5 - APG153709041BA	
91	0121G00179DG	M6 - APG153709041CA	
	HEAT EXCHANGER DOOR 32" (M5, M6, M17, M18)	M7 - APG154211541BA	
91	0121G00181DG	M8 - APG154211541CA	
	HEAT EXCHANGER DOOR 40" (M7, M8, M9, M10, M11, M12, M19, M20, M21, M22, M23, M24)	M9 - APG154911541BA	
101	20464804PDG	M10 - APG154911541CA	
	DOOR-COMPRESSOR 32 W/PAINT (M1, M2, M3, M4, M5, M6, M13, M14, M15, M16, M17, M18)	M11 - APG156014041BA	
101	20464809PDG	M12 - APG156014041CA	
	DOOR-COMPRESSOR 40 W/PAINT (M7, M8, M9, M10, M11, M12, M19, M20, M21, M22, M23, M24)	M13 - GPG152407041BA	
111	0121G00465DG	M14 - GPG152407041CA	
	PANEL-COND SIDE 32 (M1, M2, M3, M4, M5, M6, M13, M14, M15, M16, M17, M18)	M15 - GPG153009041BA	
111	0121G00467DG	M16 - GPG153009041CA	
	PANEL-COND SIDE 40, PNT (M7, M8, M9, M10, M11, M12, M19, M20, M21, M22, M23, M24)	M17 - GPG153709041BA	
121	20466101PDG	M18 - GPG153709041CA	
	UTILITY PANEL 32" (M1, M2, M3, M4, M5, M6, M13, M14, M15, M16, M17, M18)	M19 - GPG154211541BA	
121	20466102PDG	M20 - GPG154211541CA	
	UTILITY PANEL 40" (M7, M8, M9, M10, M11, M12, M19, M20, M21, M22, M23, M24)	M21 - GPG154911541BA	
131	0121G00442DG	M22 - GPG154911541CA	
	PNL, DUCT, GAS 32.5" (M1, M2, M3, M4, M5, M6, M13, M14, M15, M16, M17, M18)	M23 - GPG156014041BA	
131	0121G00443DG	M24 - GPG156014041CA	
	PNL, DUCT, GAS 40" (M7, M8, M9, M10, M11, M12, M19, M20, M21, M22, M23, M24)		
141	0121G00208		
	SUPPORT POST 32" (M1, M2, M3, M4, M13, M14, M15, M16)		
141	0121G00209		
	SUPPORT POST 40" (M7, M8, M9, M10, M11, M12, M19, M20, M21, M22, M23, M24)		
161	20464401PLG		
	LOUVERED PANEL, COND SIDE 32" (M1, M2, M3, M4, M5, M6, M13, M14, M15, M16, M17, M18)		
161	20464402PLG		
	LOUVERED PANEL, COND SIDE 40" (M7, M8, M9, M10, M11, M12, M19, M20, M21, M22, M23, M24)		
181	0121G00290		
	BASE PAN RAIL (QTY 2)		
251	0121G00453DG		
	CORNER-POST COMP END, PNT (M1, M2, M3, M4, M5, M6, M13, M14, M15, M16, M17, M18)		
251	0121G00455DG		
	CORNER-POST COMP END, PNT (M7, M8, M9, M10, M11, M12, M19, M20, M21, M22, M23, M24)		

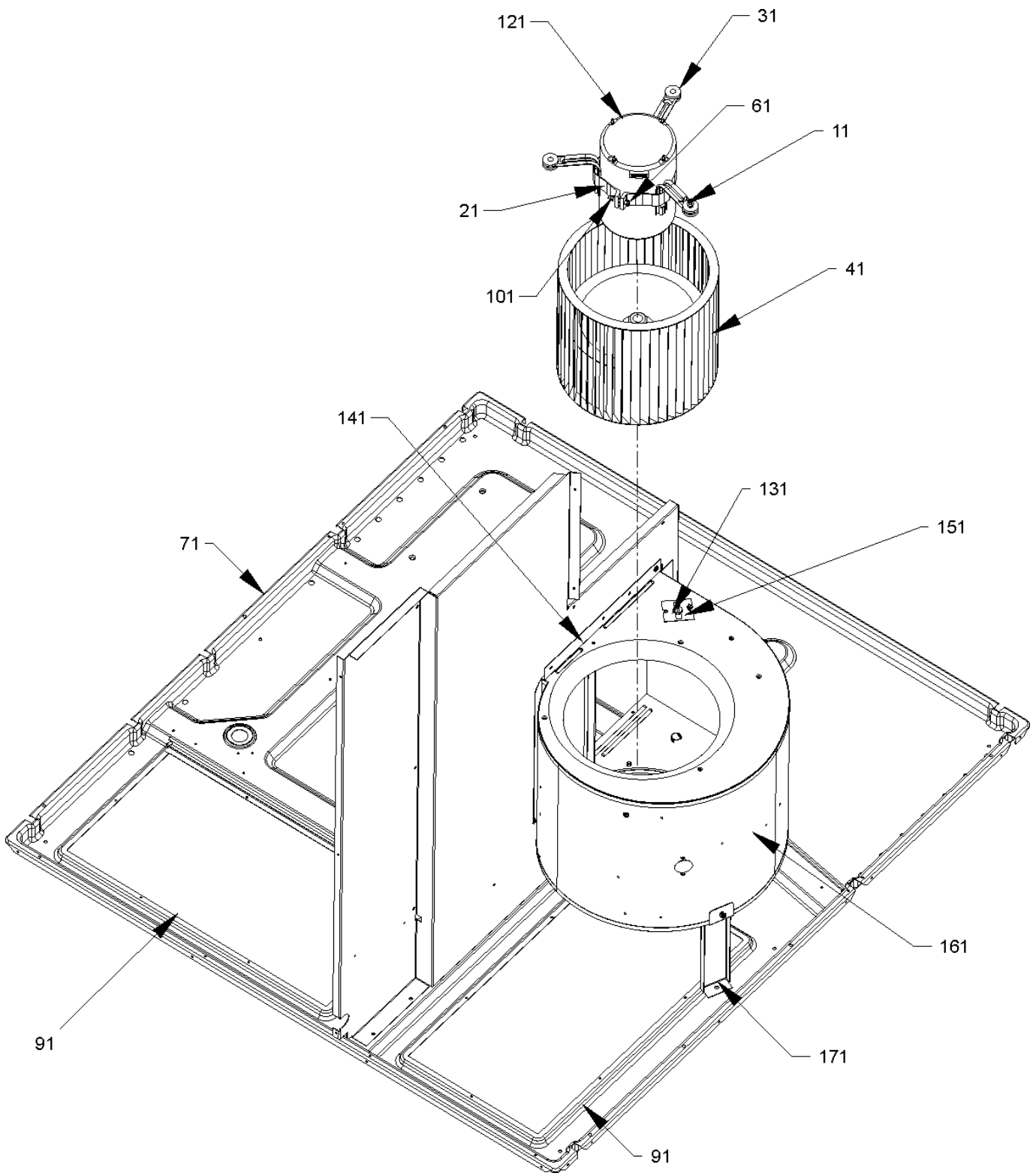
Partition Panels



Partition Panels

Ref. Part No:	No:	Description:	Ref. Part No:	No:	Description:
<i>Image 1:</i>			Expanded Model Nomenclature		
71	20465305	BLOWER DIVIDER (M1, M2, M13, M14)	M1 -	APG152407041BA	
71	20465304	BLOWER DIVIDER 32" 10 X 9 (M3, M4, M5, M6, M15, M16, M17, M18)	M2 -	APG152407041CA	
71	0121G00177	BLOWER DIVIDER 38" (M7, M8, M9, M10, M11, M12, M19, M20, M21, M22, M23, M24)	M3 -	APG153009041BA	
101	20465201	FILLER PANEL, HEAT EXCHANGER 32" (M1, M2, M3, M4, M5, M6, M13, M14, M15, M16, M17, M18)	M4 -	APG153009041CA	
101	20465202	FILLER PANEL, HEAT EXCHANGER 40" (M7, M8, M9, M10, M11, M12, M19, M20, M21, M22, M23, M24)	M5 -	APG153709041BA	
111	0121G00360	PNL, PTN, 32.5" (M1, M2, M3, M4, M5, M6, M13, M14, M15, M16, M17, M18)	M6 -	APG153709041CA	
111	0121G00361	PNL, PTN, 40" (M7, M8, M9, M10, M11, M12, M19, M20, M21, M22, M23, M24)	M7 -	APG154211541BA	
121	20465501	EVAP/HEAT EXCHANGER DIVIDER 32" (M1, M2, M3, M4, M5, M6, M13, M14, M15, M16, M17, M18)	M8 -	APG154211541CA	
121	20465502	EVAP/HEAT EXCHANGER DIVIDER 38" (M7, M8, M9, M10, M11, M12, M19, M20, M21, M22, M23, M24)	M9 -	APG154911541BA	
131	20465701	FAN PARTITION SHELF (M3, M4, M5, M6, M7, M8, M9, M10, M11, M12, M15, M16, M17, M18, M19, M20, M21, M22, M23, M24)	M10 -	APG154911541CA	
141	20465801	FAN SURROUND 32" (M1, M2, M3, M4, M5, M6, M13, M14, M15, M16, M17, M18)	M11 -	APG156014041BA	
141	20465802	FAN SURROUND 40" (M7, M8, M9, M10, M11, M12, M19, M20, M21, M22, M23, M24)	M12 -	APG156014041CA	
151	20472501	SHIELD, HEAT EXCHANGER TUBES	M13 -	GPG152407041BA	
161	20496801	DRAIN CHANNEL, SUCTION TUBE	M14 -	GPG152407041CA	
221	20463802	EVAP/BASEPAN BLOCK 32" (M1, M2, M3, M4, M5, M6, M13, M14, M15, M16, M17, M18)	M15 -	GPG153009041BA	
221	20463801	EVAP/BASEPAN BLOCK 40" (M7, M8, M9, M10, M11, M12, M19, M20, M21, M22, M23, M24)	M16 -	GPG153009041CA	
			M17 -	GPG153709041BA	
			M18 -	GPG153709041CA	
			M19 -	GPG154211541BA	
			M20 -	GPG154211541CA	
			M21 -	GPG154911541BA	
			M22 -	GPG154911541CA	
			M23 -	GPG156014041BA	
			M24 -	GPG156014041CA	

Basepan/Blower Assembly



Basepan/Blower Assembly

**Ref. Part
No: No:**

Description:

**Ref. Part
No: No:**

Description:

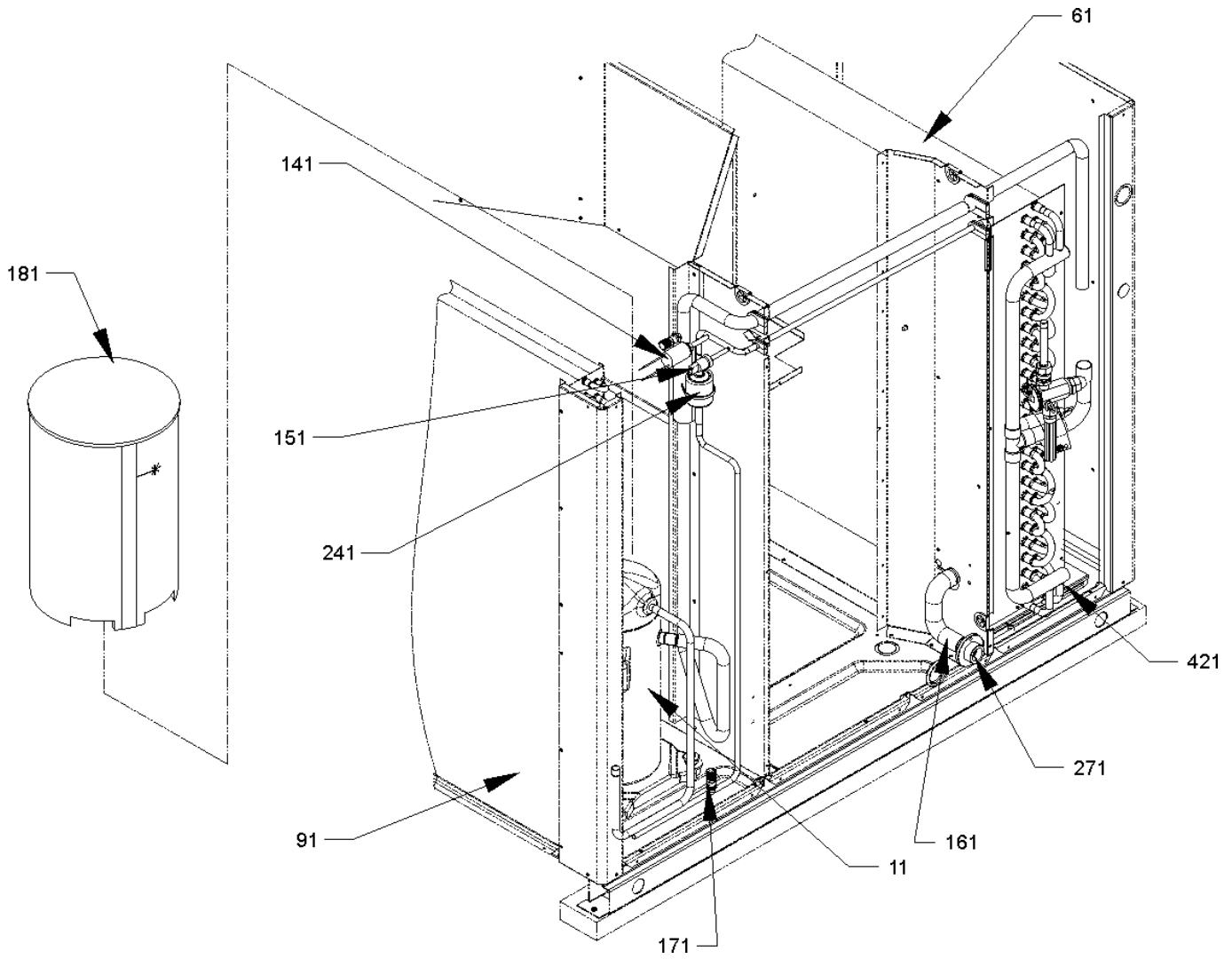
Image 1:

11	M0250565	TC SCREW 1.25" (QTY 3)
21	0121M00038	MOTOR MOUNT BAND
31	B1376857	MOTOR MOUNT ARM (QTY 3)
41	D6723303	BLOWER WHEEL (M3, M4, M5, M6, M15, M16, M17, M18)
41	B1368058	BLOWER WHEEL 10 X 8 (M1, M2, M13, M14)
41	B1368000	BLOWER WHEEL 11 X 10 (M7, M8, M9, M10, M11, M12, M19, M20, M21, M22, M23, M24)
61	B1393323	MACHINE SCREW HWH 1/4-20 X 1-1/2 BZ
71	0121G00444	BASEPAN, PACKAGE
91	0121G00148	SINGLE COVER, DOWN DISCHARGE (M1, M2, M3, M4, M5, M6, M13, M14, M15, M16, M17, M18)
101	B1393800	LOCKNUT, NYLON, INSERT 1/4, 20
121	0131M00335	MOTOR - 1 HP PROGRAMMED SELEC (M11, M23)
121	0131M00351	MOTOR - 3/4 HP PROGRAMMED SELE (M7, M19)
121	0131M00356	MOTOR - 3/4 HP PROGRAMMED SELE (M9, M21)
121	0131M00364	MOTOR-1/2 HP PROGRAMMED SELEC (M1, M13)
121	0131M00373	MOTOR-1/2 HP PROGRAMMED SELEC (M3, M15)
121	0131M00376	MOTOR-1/2 HP PROGRAMMED SELEC (M5, M17)
121	0131M00437	PROGRAMMED MOTOR (M6, M18)
121	0131M00438	PROGRAMMED MOTOR (M8, M20)
121	0131M00439	PROGRAMMED MOTOR (M10, M22)
121	0131M00444	PROGRAMMED MOTOR (M12, M24)
121	0131M00445	PROGRAMMED MOTOR (M2, M14)
121	0131M00446	PROGRAMMED MOTOR (M4, M16)
131	20269903	AUXILIARY LIMIT, AUTO RESET
151	2509503F	AUXILIARY LIMIT BRACKET
161	0271G00024	BLOWER HOUSING ASSY (10X9) (M3, M4, M5, M6, M15, M16, M17, M18)
161	2539309	BLOWER HOUSING ASSY (11X10) (M7, M8, M9, M10, M11, M12, M19, M20, M21, M22, M23, M24)
161	0271F00001P	BLOWER HOUSING ASSY 10 X 8 (M1, M2, M13, M14)
171	4322801	11 X 10 BLOWER SUPPORT LRG (M7, M8, M9, M10, M11, M12, M19, M20, M21, M22, M23, M24)
NS	764742	BLOWER BLOCK-OFF (M3, M4, M5, M6, M15, M16, M17, M18)
NS	764740F	BLOWER BLOCK-OFF 10 X 8 (M1, M2, M13, M14)
NS	1864703F	BLOWER CUT-OFF (M7, M8, M9, M10, M11, M12, M19, M20, M21, M22, M23, M24)

Expanded Model Nomenclature

M1 - APG152407041BA
M2 - APG152407041CA
M3 - APG153009041BA
M4 - APG153009041CA
M5 - APG153709041BA
M6 - APG153709041CA
M7 - APG154211541BA
M8 - APG154211541CA
M9 - APG154911541BA
M10 - APG154911541CA
M11 - APG156014041BA
M12 - APG156014041CA
M13 - GPG152407041BA
M14 - GPG152407041CA
M15 - GPG153009041BA
M16 - GPG153009041CA
M17 - GPG153709041BA
M18 - GPG153709041CA
M19 - GPG154211541BA
M20 - GPG154211541CA
M21 - GPG154911541BA
M22 - GPG154911541CA
M23 - GPG156014041BA
M24 - GPG156014041CA

Compressor/Tubing Assembly



Compressor/Tubing Assembly

**Ref. Part
No: No:**

Description:

**Ref. Part
No: No:**

Description:

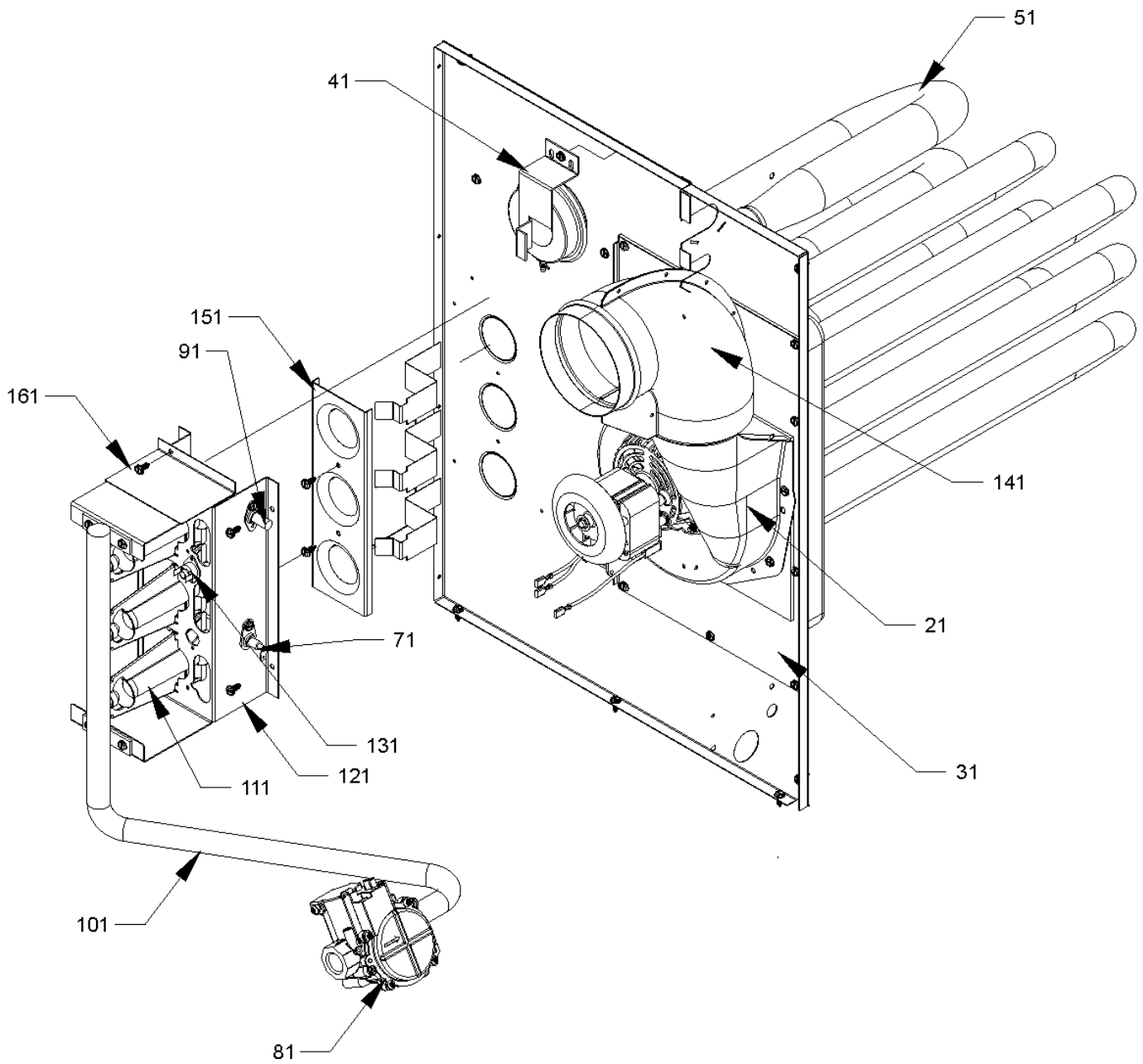
Image 1:

11	ZPS51K5EPFV130	COMP, 51900/208/230/60/1 (M11, M12, M23, M24)
11	ZP20K5EPFV130	COMP,20000,208/230/60/1 (M1, M2, M13, M14)
11	ZP34K5EPFV130	COMP,34500,208/230/60/1 (M7, M8, M19, M20)
11	ZP25K5EPFV130	COMPRESSOR 25200, 208/230/60/1 (M3, M4, M15, M16)
11	ZP31K5EPFV130	COMPRESSOR 31100, 208/230/60/1 (M5, M6, M17, M18)
11	ZP39K5EPFV130	COMPRESSOR 39000, 208/230/60/1 (M9, M10, M21, M22)
61	0202G00370	EVAP COIL ASSY (M1, M2, M13, M14)
61	0202G00375	EVAP COIL ASSY (M11, M12, M23, M24)
61	0202G00376	EVAP COIL ASSY (M3, M4, M15, M16)
61	0202G00377	EVAP COIL ASSY (M5, M6, M17, M18)
61	0202G00378	EVAP COIL ASSY (M7, M8, M19, M20)
61	0202G00379	EVAP COIL ASSY (M9, M10, M21, M22)
91	0201G00249	CONDENSER COIL ASSY (M1, M2, M3, M4, M13, M14, M15, M16)
91	0201G00252	CONDENSER COIL ASSY (M7, M8, M9, M10, M11, M12, M19, M20, M21, M22, M23, M24)
91	0201G00262	CONDENSER COIL ASSY (M5, M6, M17, M18)
141	0130M00074	HIGH PRESSURE SWITCH
151	0130M00087	LOW PRESSURE SWITCH
161	20498302	DRAIN TUBE 32" (M7, M8, M9, M10, M11, M12, M19, M20, M21, M22, M23, M24)
161	20498301	DRAIN TUBE 40" (M1, M2, M3, M4, M5, M6, M13, M14, M15, M16, M17, M18)
171	0163M00175	CAP WITH O-RING (QTY 2)
181	B1488806	COMPRESSOR SOUND BLANKET (M7, M8, M9, M10, M11, M12)
181	B1488807	COMPRESSOR SOUND BLANKET (M1, M2, M3, M4, M5, M6)
241	0162R00009	FILTER DRIER
271	20513001	EVAP DRAIN FITTING
421	20464901DF	DRAIN PAN-EVAP COIL
NS	M0250565	SCREW-TC 1.25" (M1, M2, M13, M14)
NS	M0221641	TF SHOULDER SCREW (M3, M4, M5, M6, M7, M8, M9, M10, M11, M12, M15, M16, M17, M18, M19, M20, M21, M22, M23, M24)

Expanded Model Nomenclature

M1 - APG152407041BA
M2 - APG152407041CA
M3 - APG153009041BA
M4 - APG153009041CA
M5 - APG153709041BA
M6 - APG153709041CA
M7 - APG154211541BA
M8 - APG154211541CA
M9 - APG154911541BA
M10 - APG154911541CA
M11 - APG156014041BA
M12 - APG156014041CA
M13 - GPG152407041BA
M14 - GPG152407041CA
M15 - GPG153009041BA
M16 - GPG153009041CA
M17 - GPG153709041BA
M18 - GPG153709041CA
M19 - GPG154211541BA
M20 - GPG154211541CA
M21 - GPG154911541BA
M22 - GPG154911541CA
M23 - GPG156014041BA
M24 - GPG156014041CA

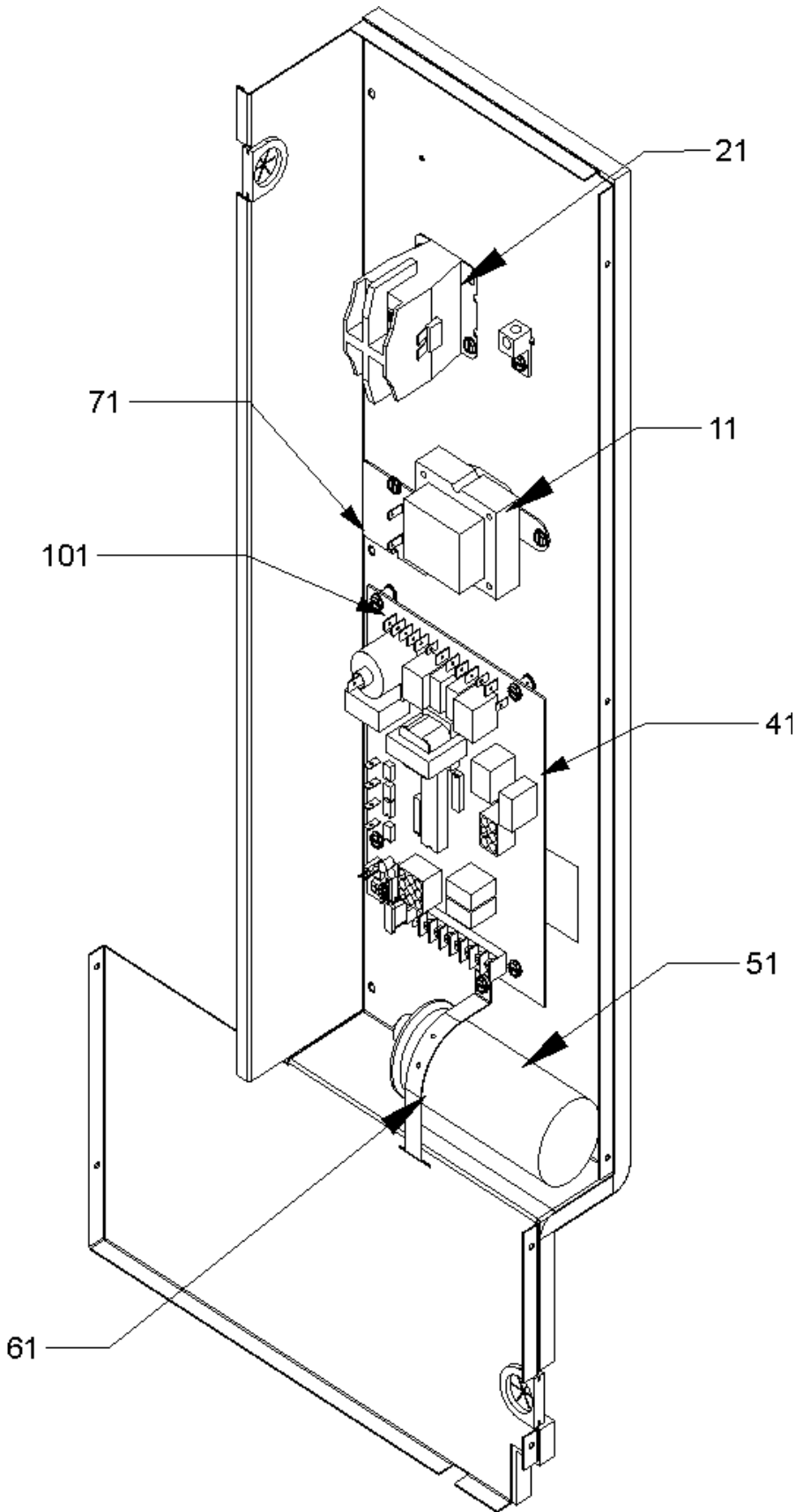
Heat Exchange/Manifold/Gas Valve



Heat Exchange/Manifold/Gas Valve

Ref. Part No:	No:	Description:	Ref. Part No:	No:	Description:
<i>Image 1:</i>			Expanded Model Nomenclature		
21	0131G00009	MOTOR, ID BLOWER	M1	-	APG152407041BA
31	0121G00434	PLATE-ID BLWR LRG 5 BRNR (M7, M8, M9, M10, M19, M20, M21, M22)	M2	-	APG152407041CA
31	0121G00432	PLATE-ID BLWR LRG 6 BRNR (M11, M12, M23, M24)	M3	-	APG153009041BA
31	0121G00428	PLATE-ID BLWR SML 3 BRNR (M1, M2, M13, M14)	M4	-	APG153009041CA
31	0121G00429	PLATE-ID BLWR SML 4 BRNR (M3, M4, M5, M6, M15, M16, M17, M18)	M5	-	APG153709041BA
41	11112501S	PRESSURE SWITCH	M6	-	APG153709041CA
51	20490718	PART/TUBE ASSY (M11, M12)	M7	-	APG154211541BA
51	20490707	PART/TUBE ASSY 3B (M13, M14)	M8	-	APG154211541CA
51	20490710	PART/TUBE ASSY 3B (M1, M2)	M9	-	APG154911541BA
51	20490703	PART/TUBE ASSY 4B (M15, M16, M17, M18)	M10	-	APG154911541CA
51	20490711	PART/TUBE ASSY 4B (M3, M4, M5, M6)	M11	-	APG156014041BA
51	20490705	PART/TUBE ASSY 5B (M19, M20, M21, M22)	M12	-	APG156014041CA
51	20490713	PART/TUBE ASSY 5B (M7, M8, M9, M10)	M13	-	GPG152407041BA
51	20490706	PART/TUBE ASSY 6B (M23, M24)	M14	-	GPG152407041CA
71	0130F00014	IGNITOR	M15	-	GPG153009041BA
81	0151F00000P	GAS VALVE - WHITE-RODGERS 2-STAGE	M16	-	GPG153009041CA
91	0130F00010	FLAME SENSOR	M17	-	GPG153709041BA
101	20493103	MANIFOLD - 3 BRNR (M1, M2, M13, M14)	M18	-	GPG153709041CA
101	20493104	MANIFOLD - 4 BRNR (M3, M4, M5, M6, M15, M16, M17, M18)	M19	-	GPG154211541BA
101	20493106	MANIFOLD - 5 BRNR (M7, M8, M9, M10, M19, M20, M21, M22)	M20	-	GPG154211541CA
101	20493107	MANIFOLD - 6 BRNR (M11, M12, M23, M24)	M21	-	GPG154911541BA
111	10735102	BECKETT BURNER (QTY A/R)	M22	-	GPG154911541CA
121	20190411	BURNER BRACKET 3B (M1, M2, M13, M14)	M23	-	GPG156014041BA
121	20190412	BURNER BRACKET 4B (M3, M4, M5, M6, M15, M16, M17, M18)	M24	-	GPG156014041CA
121	20190413	BURNER BRACKET 5B (M7, M8, M9, M10, M19, M20, M21, M22)			
121	0121F00145	BURNER BRACKET 6B (M11, M12, M23, M24)			
131	10123529	MANUAL RESET LIMIT			
141	20484401W	FLUE ELBOW LEFT			
141	20484402W	FLUE ELBOW RIGHT			
151	11072202	ORIFICE SHIELD (M1, M2, M13, M14)			
151	11072203	ORIFICE SHIELD (M3, M4, M5, M6, M15, M16, M17, M18)			
151	11072204	ORIFICE SHIELD (M7, M8, M9, M10, M19, M20, M21, M22)			
151	11072205	ORIFICE SHIELD (M11, M12, M23, M24)			
161	M0221817	SMALL SCREW (QTY 6)			
NS	0154G00003	GASKET, ID BLOWER & PLATE (M1, M2, M3, M4, M5, M6, M13, M14, M15, M16, M17, M18)			
NS	0154G00004	GASKET, ID BLOWER & PLATE (M7, M8, M9, M10, M11, M12, M19, M20, M21, M22, M23, M24)			
NS	10716003	ORIFICE (QTY A/R)			

Control Panel



Control Panel

Ref. Part No: No:	Description:	Ref. Part No: No:	Description:
-------------------	--------------	-------------------	--------------

Image 1:

11	B1141643	TRANSFORMER 208/230, 24V
21	CONT1P025024V	CONTACTOR 25 AMP, 1P, 24V (M1, M2, M3, M4, M5, M6, M13, M14, M15, M16, M17, M18)
21	CONT1P030024V	CONTACTOR 30 AMP, 1P, 24V (M7, M8, M9, M10, M19, M20, M21, M22)
21	CONT2P040024V	CONTACTOR 40 AMP, 2P, 24V (M11, M12, M23, M24)
41	PCBAG127	PCB, IGNITION, DSI, 2 STG
51	CAP050350440RS	CAPACITOR 5/35/440V (M1, M2, M13, M14)
51	CAP050400440RT	CAPACITOR 5/40/440V (M3, M4, M11, M12, M15, M16, M23, M24)
51	CAP050450440RT	CAPACITOR 5/45/440V (M5, M6, M7, M8, M9, M10, M17, M18, M19, M20, M21, M22)
61	20520901	CAPACITOR STRAP
71	10728343	LIMIT SWITCH (M1, M2, M3, M4, M5, M6, M11, M12, M13, M14, M15, M16, M17, M18, M23, M24)
71	10728344	LIMIT SWITCH (M7, M8, M9, M10, M19, M20, M21, M22)

Expanded Model Nomenclature

M1 - APG152407041BA
M2 - APG152407041CA
M3 - APG153009041BA
M4 - APG153009041CA
M5 - APG153709041BA
M6 - APG153709041CA
M7 - APG154211541BA
M8 - APG154211541CA
M9 - APG154911541BA
M10 - APG154911541CA
M11 - APG156014041BA
M12 - APG156014041CA
M13 - GPG152407041BA
M14 - GPG152407041CA
M15 - GPG153009041BA
M16 - GPG153009041CA
M17 - GPG153709041BA
M18 - GPG153709041CA
M19 - GPG154211541BA
M20 - GPG154211541CA
M21 - GPG154911541BA
M22 - GPG154911541CA
M23 - GPG156014041BA
M24 - GPG156014041CA